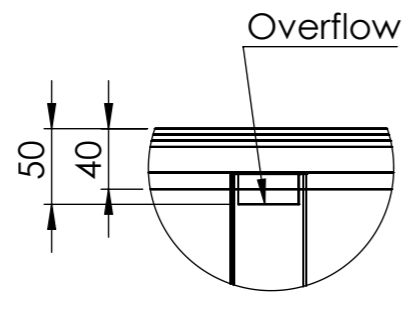
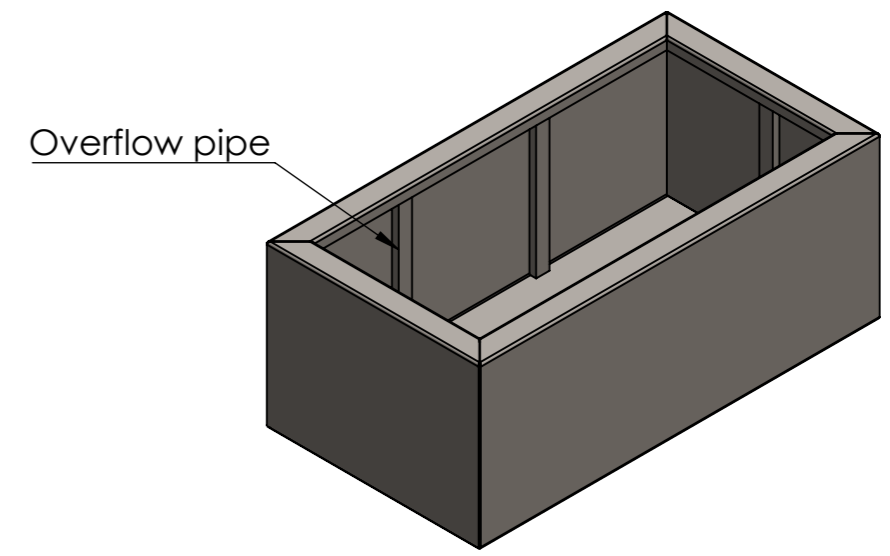


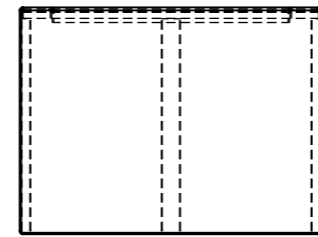
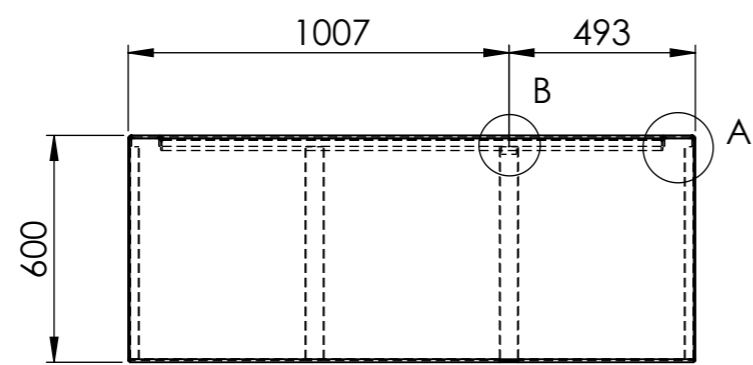
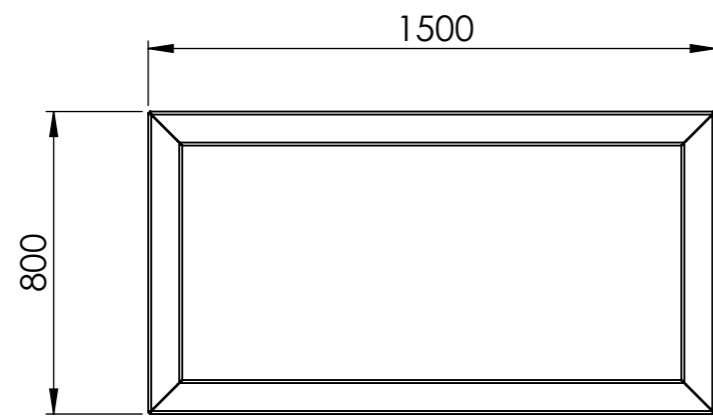
DETAIL A  
SCALE 1 : 5



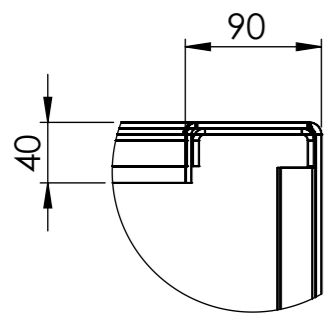
DETAIL B  
SCALE 1 : 5



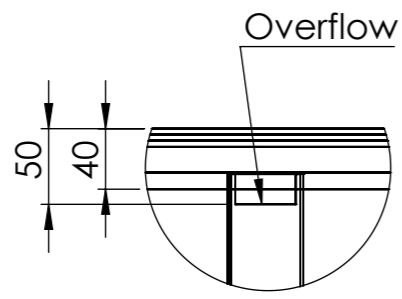
Overflow pipe



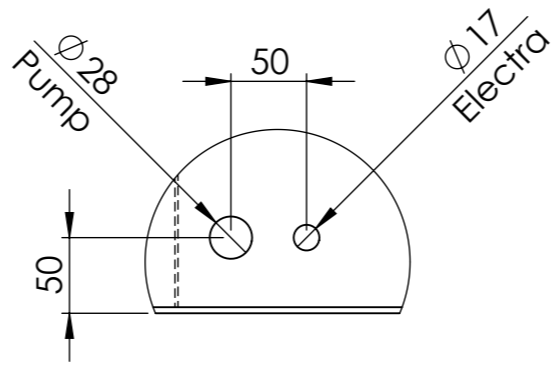
DRAWN	Luuk van den Heuvel	DATE	23-5-2023		TITLE:	Aluminum 4mm	
REVISION					Drawing:	VA10	A3
		Liessentstraat 4, 5405 AG Uden (NL). † 0031 (0)413 - 27 41 68. e info@adezz.com, i www.adezz.com		Color:	-	Mass (kg):	<b>55.32</b>
				SCALE:1:20	SHEET 1 OF 10		



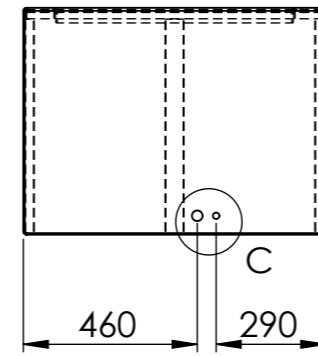
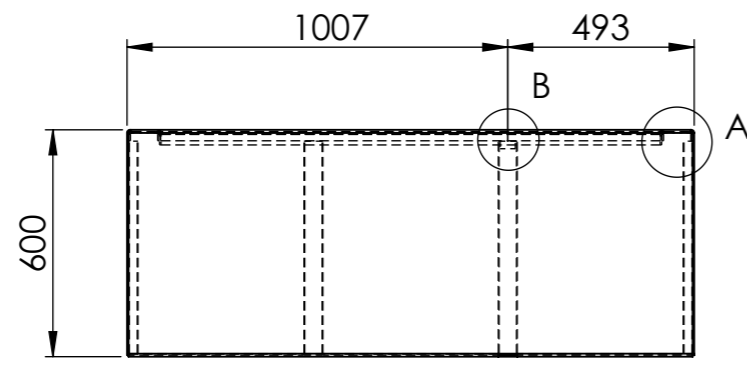
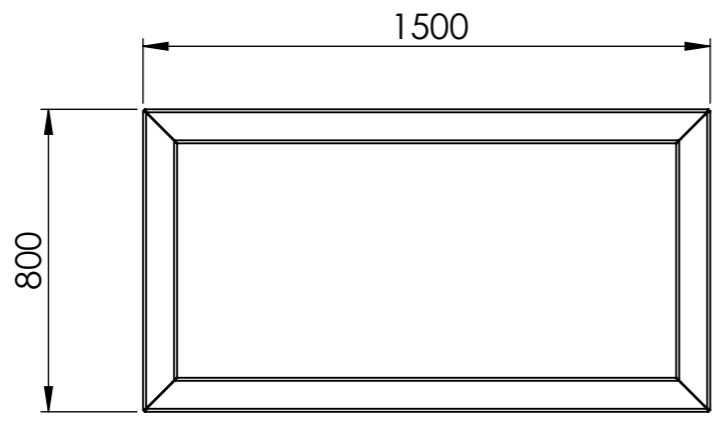
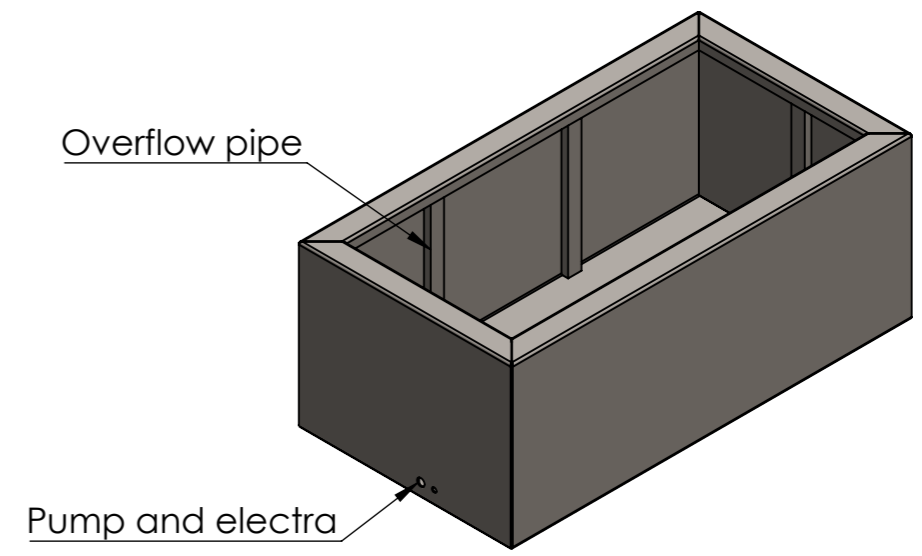
DETAIL A  
SCALE 1 : 5



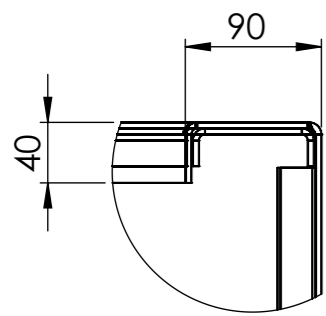
DETAIL B  
SCALE 1 : 5



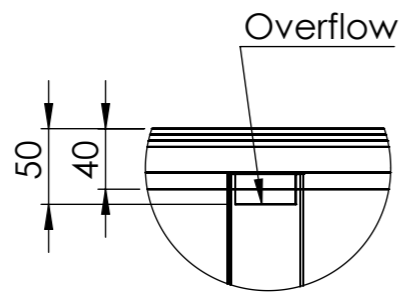
DETAIL C  
SCALE 1 : 5



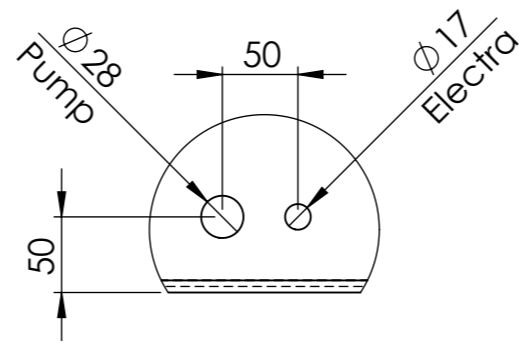
DRAWN	Luuk van den Heuvel	DATE	23-5-2023		TITLE:	Aluminum 4mm	
REVISION					Drawing:	VA10	A3
		Liessentstraat 4, 5405 AG Uden (NL). † 0031 (0)413 - 27 41 68. e info@adezz.com, i www.adezz.com		Color:	-	Mass (kg):	<b>55.29</b>
				SCALE:1:20	SHEET 1 OF 10		



DETAIL A  
SCALE 1:5

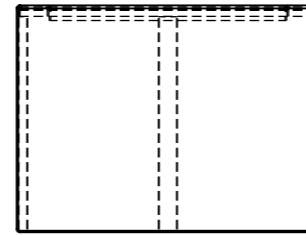
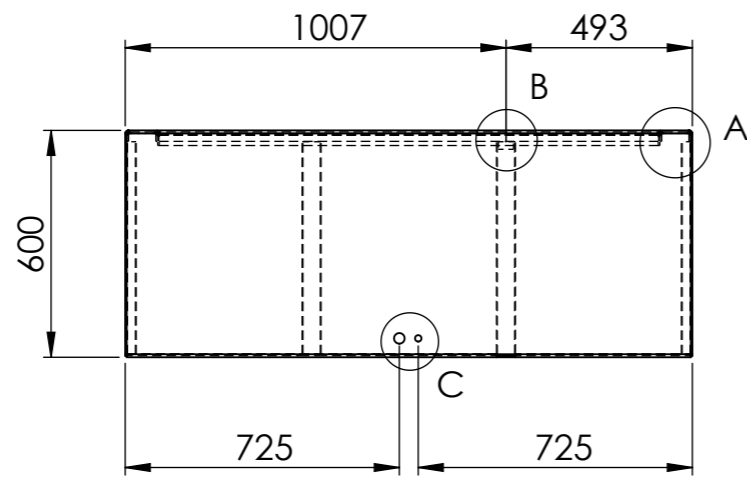
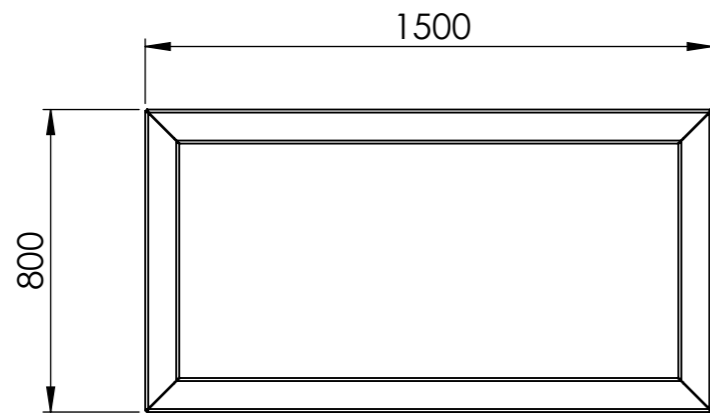
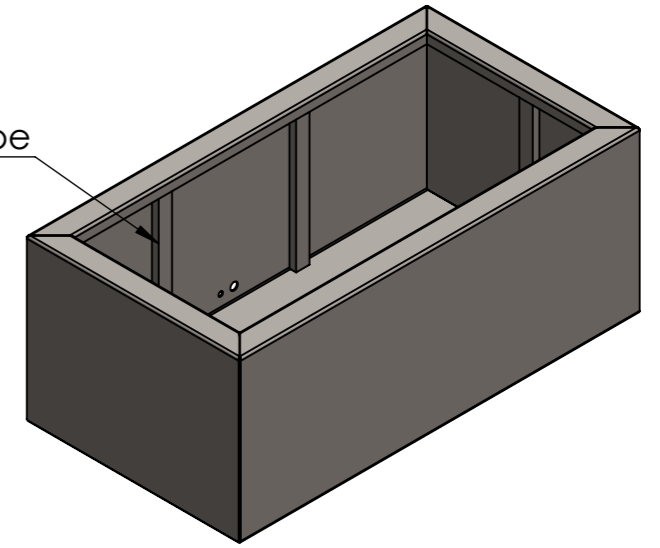


DETAIL B  
SCALE 1:5

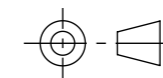


DETAIL C  
SCALE 1:5

Overflow pipe



DRAWN	Luuk van den Heuvel	DATE	23-5-2023
REVISION			



TITLE:	Aluminum 4mm	
--------	--------------	--

**ADEZZ**  
DESIGN TO GROW

Liessentstraat 4, 5405 AG Uden (NL).  
t 0031 (0)413 - 27 41 68.  
e info@adezz.com, i www.adezz.com

Drawing:	VA10	A3
----------	------	----

Color:	-	Mass (kg):	55.29	SCALE:1:20	SHEET 1 OF 10
--------	---	------------	-------	------------	---------------